



Specification grade area lights available in IES Type III distributions. For use for roadway, general parking and other area lighting applications where a larger pool of lighting is required. Patent pending thermal management system. 5 Year Warranty.

Color: Bronze

Weight: 32.0 lbs

Project:

Type:

Prepared By:

Date:

Driver Info

Type: Constant Current
 120V: 0.66A
 208V: 0.41A
 240V: 0.35A
 277V: 0.30A
 Input Watts: 76W
 Efficiency: N/A

LED Info

Watts: 78W
 Color Temp: 4000K
 Color Accuracy: 72 CRI
 L70 Lifespan: 100000
 Lumens: 8941
 Efficacy: 118 LPW

Technical Specifications

Listings

UL Listing:

Suitable for wet locations as a downlight.

DLC Listed:

This product is on the Design Lights Consortium (DLC) Qualified Products List and is eligible for rebates from DLC Member Utilities.

DLC Product Code: _P0000179U

IESNA LM-79 & IESNA LM-80 Testing:

RAB LED luminaires have been tested by an independent laboratory in accordance with IESNA LM-79 and 80, and have received the Department of Energy "Lighting Facts" label.

Dark Sky Approved:

The International Dark Sky Association has approved this product as a full cutoff, fully shielded luminaire.

LED Characteristics

Lifespan:

100,000-hour LED lifespan based on IES LM-80 results and TM-21 calculations.

LEDs:

Six (6) multi-chip, 13W, high-output, long-life LEDs.

Color Consistency:

3-step MacAdam Ellipse binning to achieve consistent fixture-to-fixture color.

Color Stability:

LED color temperature is warrantied to shift no more than 200K in CCT over a 5 year period.

Color Uniformity:

RAB's range of CCT (Correlated Color Temperature) follows the guidelines of the American National Standard for Specifications for the Chromaticity of Solid State Lighting (SSL) Products, ANSI C78.377-2017.

Construction

IES Classification:

The Type III distribution is ideal for roadway, general parking, and other area lighting applications where a larger pool of lighting is required. It is intended to be located near the side of the area, allowing the light to project outward and fill the area.

Ambient Temperature:

Suitable for use in 40°C (104°F) ambient temperatures.

Cold Weather Starting:

Minimum starting temperature is -40°C (-40°F)

Thermal Management:

Superior heat sinking with external Air-Flow fins.

Effective Projected Area:

EPA = 0.75

Lens:

Tempered glass lens.

Housing:

Die cast aluminum housing, lens frame and mounting arm.

IP Rating:

Ingress Protection rating of IP66 for dust and water

Mounting:

Universal mounting arm compatible for hole spacing patterns from 1" to 5 1/2" center to center. Round Pole Adaptor plate included as a standard. Easy slide and lock to mount fixture with ease.

Reflector:

Specular vacuum-metallized polycarbonate

Gaskets:

High temperature silicone gaskets.

Finish:

Formulated for high-durability and long lasting color.

Green Technology:

Mercury and UV free. RoHS compliant components. Polyester powder coat finish formulated without the use of VOC or toxic heavy metals.

For use on LEED Buildings:

IDA Dark Sky Approval means that this fixture can be used to achieve LEED Credits for Light Pollution Reduction.

Electrical

Driver:

Constant Current, Class 2, 2000mA, 100-277V, 50-60Hz, 1.1A, Power Factor 99%

THD:

5.2% at 120V, 13.6% at 277V

Surge Protection:

4kV

Technical Specifications (continued)

Electrical

Surge Protector:

ALED78 is available with a 6kV surge protector (SP6). SP6 available .

Other

California Title 24:

See ALED3T78/D10, ALED3T78/BL, ALED3T78/PCS, ALED3T78/PCS2, or ALED3T78/PCT for a 2013 California Title 24 compliant product. Any additional component requirements will be listed in the Title 24 section under technical specifications on the product page.

Compatibility:

Compatible with Round Poles with a diameter of 2.5" to 6"

Warranty:

RAB warrants that our LED products will be free from defects in materials and workmanship for a period of five (5) years from the date of delivery to the end user, including coverage of light output, color stability, driver performance and fixture finish.

Patents:

The ALED design is protected by patents in the U.S. Pat. 668,370, Canada Pat. 144956, China ZL201230100154.X, and Mexico Pat. 38423. Pending patents in Taiwan.

Replacement:

Replaces 250W Metal Halide.

FTC Country of Origin:

This product was assembled in the USA by RAB using imported components.

Buy American Act Compliance:

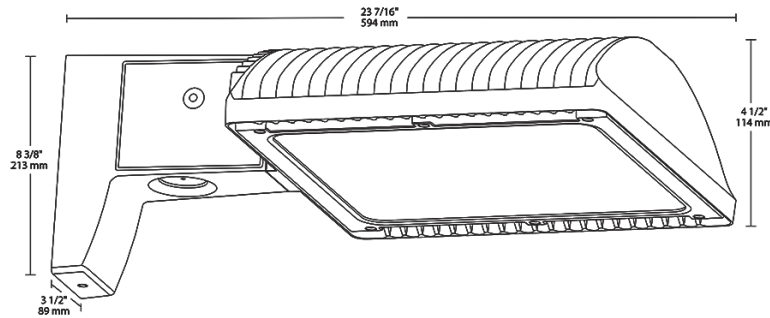
This product complies with the Buy American Act.

Optical

BUG Rating:

B1 U0 G2

Dimensions



Features

- 66% energy cost savings vs. HID
- 100,000-hour LED lifespan
- Type III distribution
- 5-year warranty

Ordering Matrix

Family	Optics	Wattage	Mounting	Color Temp	Finish	Driver Options	Photocell Options
ALED	3T	78		N			
	2T = Type II	50 = 50W	Blank = Pole mount	Blank = 5000K (Cool)	Blank = Bronze	Blank = 120-277V	Blank = No Option
	3T = Type III	78 = 78W	SF = Slipfitter	N = 4000K (Neutral)	RG = Roadway Gray	/480 = 480V (not available for 150W)	/PC = 120V Button Photocell (Pole mount models only)
	4T = Type IV	105 = 105W		Y = 3000K (Warm)	W = White	/BL = Bi-Level	/PC2 = 277V Button Photocell (Pole mount models only)
		125 = 125W				/D10 = 0-10V Dimming	/PCT = 120-277V Twistlock Photocell (Pole mount models only)
		150 = 150W					/PCT4 = 480V Twistlock Photocell (Pole mount models only)
							/PCS = 120V Swivel Photocell
							/PCS2 = 277V Swivel Photocell
							/PCS4 = 480V Swivel Photocell
							/WS2 = Multi-Level Motion Sensor 20 ft. (Only available 0-10V dimming models)
							/WS4 = Multi-Level Motion Sensor 40 ft. (Only available 0-10V dimming models)